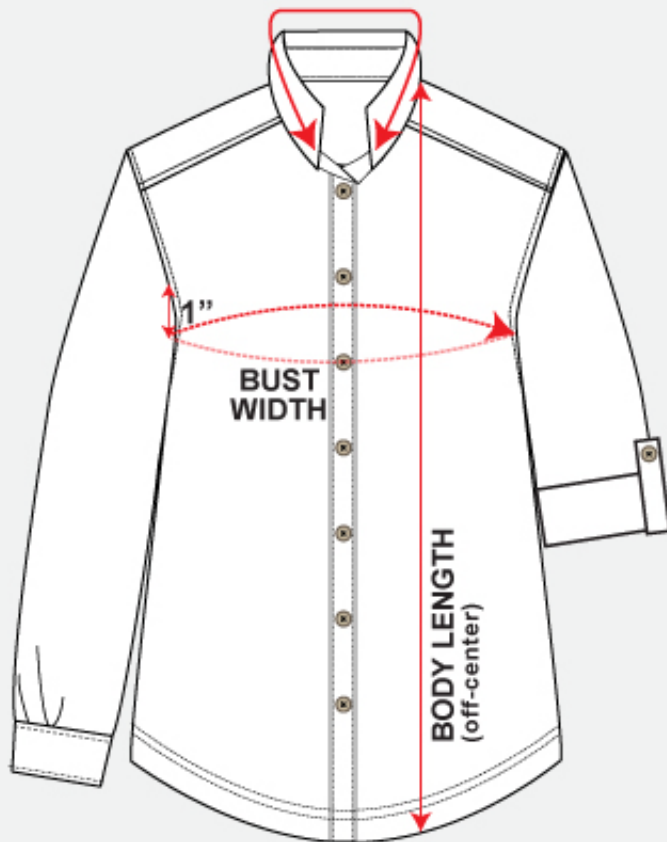


HerWay (TOP - FORMAL SHIRT)



A COLLAR WIDTH

The length of the collar when flattened from center of the top button to the edge of the button hole.

B BUST WIDTH

CIRCUMFERENCE full length, measuring 1" BELOW the armpit.

C BODY LENGTH (off-center)

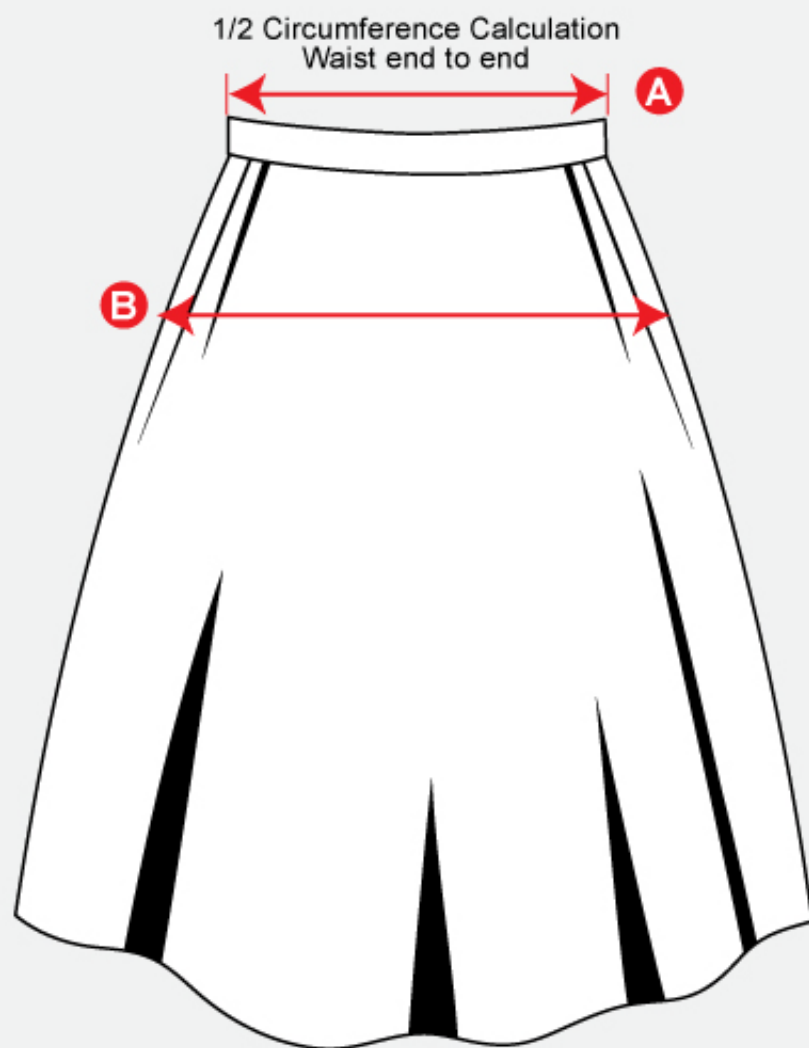
Length between the edge of the neck opening to the bottom (hem)

**ALL MEASUREMENT ARE IN INCHES*

**ALL SIZES ARE APPROXIMATE*

SIZE	UK SIZE	BODY LENGTH	CHEST WIDTH	COLLAR WIDTH
0XL	18-20	32	44-46	17 1/4
1XL	22-24	32 1/2	48-50	17 1/4
2XL	26-28	33	52-54	18
3XL	30-32	33 1/2	56-58	18 3/4
4XL	34-36	34	60-62	19 1/2
5XL	38-40	35	64-66	20 1/4

HerWay (SKIRT)



A PRODUCT WAIST SIZE

The actual measurement of the waist part of the product measure the width between the two sides & double the number

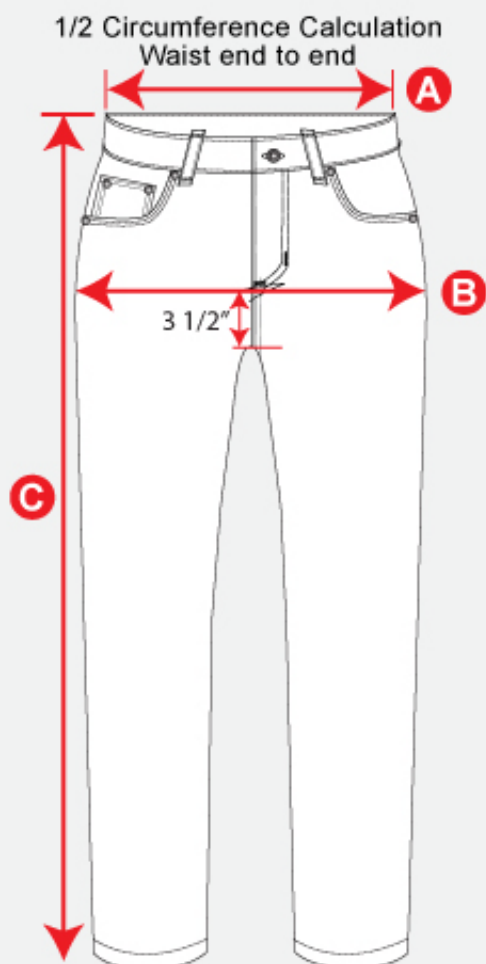
B HIP

Measure the fullest part of the hip, between the two sides & double the figure

***ALL MEASUREMENT ARE IN INCHES**
***ALL SIZES ARE APPROXIMATE**

Size	1XL	2XL	3XL	4XL	5XL
Waist	38" - 43"	44" - 49"	50" - 55"	56" - 61"	62" - 67"
Hip	48" - 52"	53" - 57"	58" - 62"	63" - 67"	68" - 72"

HerWay (BOTTOM - TROUSER)



A PRODUCT WAIST SIZE

The actual measurement of the waist part of the product measure the width between the two sides & double the number

B HIP

Measure the fullest part of the hip, between the two sides & double the figure

C OUTSEAM

Length measured between the waistband to the bottom of the pant legs



***ALL MEASUREMENT ARE IN INCHES**

***ALL SIZES ARE APPROXIMATE**

Size	36"	38"	40"	42"	44"	46"	48"	50"	52"	54"	56"
Waist	36-37	38-39	40-41	42-43	44-45	46-47	48-49	50-51	52-53	54-55	56-57
Outseam	41"	41"	41"	41"	41"	41"	41"	42"	42"	42"	42"
Hip	45-46	47-48	49-50	51-52	53-54	55-56	57-58	59-60	61-62	63-64	65-66